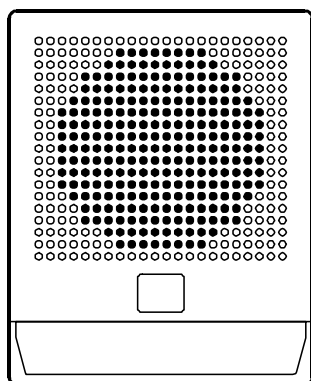


Product information



The Genesis Speaker is an audible fire alarm notification appliance designed for indoor walls. See Table 1 for a list of model numbers.

The speaker includes a field configurable switch for selecting the desired wattage tap. The wattage tap setting remains visible after final installation.

Install this device in accordance with applicable requirements in the latest editions of the NFPA codes and standards; *Canadian Electrical Code, Part 1*, Section 32; and in accordance with the local authorities having jurisdiction.

These instructions apply to the following model numbers:

Table 1: Models

Description	Model number	
Speaker, 25 Vrms, white	ADTG4-S2	MG4-S2
	EG4-S2	XLSG4-S2
	G4-S2	ZG4-S2
	G4-S2-LG	
Speaker, 25 Vrms, white, with FIRE marking	ADTG4F-S2	MG4F-S2
	EG4F-S2	XLSG4F-S2
	G4F-S2	ZG4F-S2
	G4F-S2-LG	
Speaker, 70 Vrms, white	ADTG4-S7	MG4-S7
	EG4-S7	XLSG4-S7
	G4-S7	ZG4-S7
	G4-S7-LG	
Speaker, 70 Vrms, white, with FIRE marking	ADTG4F-S7	MG4F-S7
	EG4F-S7	XLSG4F-S7
	G4F-S7	ZG4F-S7
	G4F-S7-LG	
Surface mount box, white	ADTG4B	MG4B
	EG4B	XLSG4B
	G4B	ZG4B
	G4B-LG	

Table 1: Models

Description	Model number	
Surface mount box, red	ADTG4RB	MG4RB
	EG4RB	XLSG4RB
	G4RB	ZG4RB
	G4RB-LG	

Specifications

Operating voltage: 25 Vrms (model S2), 70 Vrms (model S7)

Supervisory voltage: 30 V maximum

Sound level output: See Table 2

Speaker response: 400 to 4,000 Hz

Wire size: 12 to 18 AWG (2.50 to 0.75 sq mm)

Compatible electrical boxes

North American 4 in square electrical box, 2-1/8 in deep
(UL/ULC listed flush mounted with no extension ring)

Surface mount box: See Table 1

Operating environment

Temperature: 32 to 120 °F (0 to 49 °C)

Humidity: 0 to 93% RH, noncondensing at 90 °F (32 °C)

Intended installation environment: Indoor dry

Agency listings: Meets ULC-S541 and UL 1480 fifth edition

Table 2: Sound level output (dBA)

Wattage	Output
1/4 W	80
1/2 W	83
1 W	86
2 W	89

dBA = Decibels, A-weighted

UL 1480: Sound level output at 10 ft (3.05 m) measured in a reverberant room using 400 to 4,000 Hz band limited pink noise.

ULC-S541: Meets or exceeds 85 dBA in an anechoic chamber at 10 ft (3.05 m).

Directional characteristics: Within 6 dB of on-axis sound level when measured 90° off-axis (horizontal).

Installation instructions

Caution: Electrical supervision requires the wire run to be broken at each terminal. Do not loop the signaling circuit field wires around the terminals.

To install the speaker:

1. Remove the cover by depressing the tabs on top of the unit by inserting a small screwdriver from the top and twisting slightly.
2. Connect wires as shown. Strobe terminals S+ and S- are not used for speaker only devices. See the Figure 1.

3. Slide the wattage switch to the desired wattage tap (2 W, 1 W, 1/2 W, or 1/4 W) by aligning it with the indicator notch below the switch. See Figure 2.
4. Mount the unit onto a compatible electrical box. See Figure 3.
5. Replace the cover by aligning it at the bottom and snapping it in at the top.
6. Test the unit for proper operation.

Maintenance

This unit is not serviceable or repairable. Should the unit fail to operate, contact the supplier for replacement.

Perform a visual inspection and an operational test twice a year or as directed by the local authority having jurisdiction.

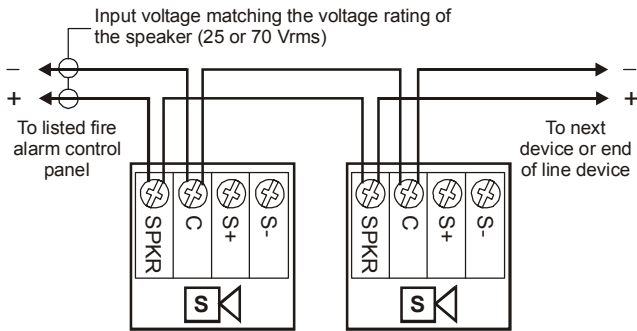


Figure 1: Wiring diagram

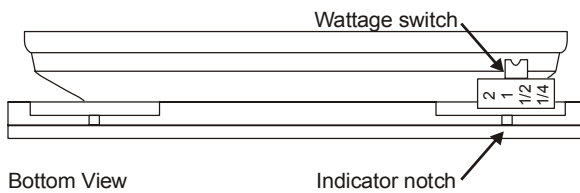


Figure 2: Wattage switch

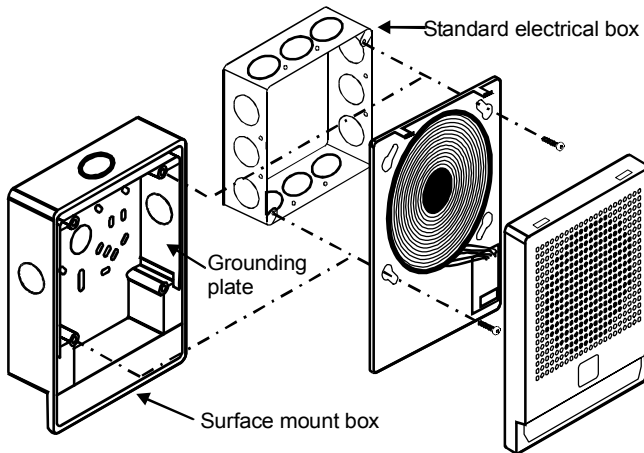


Figure 3: Mounting diagram

Caution: With surface mount box, do not install conduit into back center knockout. Only install conduit into knockouts with grounding plate. Verify that the grounding plate provides continuity with conduit.