



Genesis Remote Mount Signal Master Module Installation Sheet

Description

The Genesis Remote Mount Signal Master Module provides precision synchronization and independent horn control for Genesis strobes and horns. Model numbers are listed below.

Table 1: Models

Description	Numbers
Genesis Remote Mount Signal Master Module [1]	ADTG1M-RM, EG1M-RM G1M-RM, MG1M-RM XLSG1M-RM, ZG1M-RM

[1] This module is compatible with Genesis, Enhanced Integrity (synchronized), and Audible Detector base devices. For specific models and quantities, see the compatibility list referenced on the control panel.

Installation

Install in accordance with applicable requirements in the latest editions of the NFPA codes and standards and *Canadian Electrical Code*, Part 1, Section 32, and in accordance with the local authorities having jurisdiction.

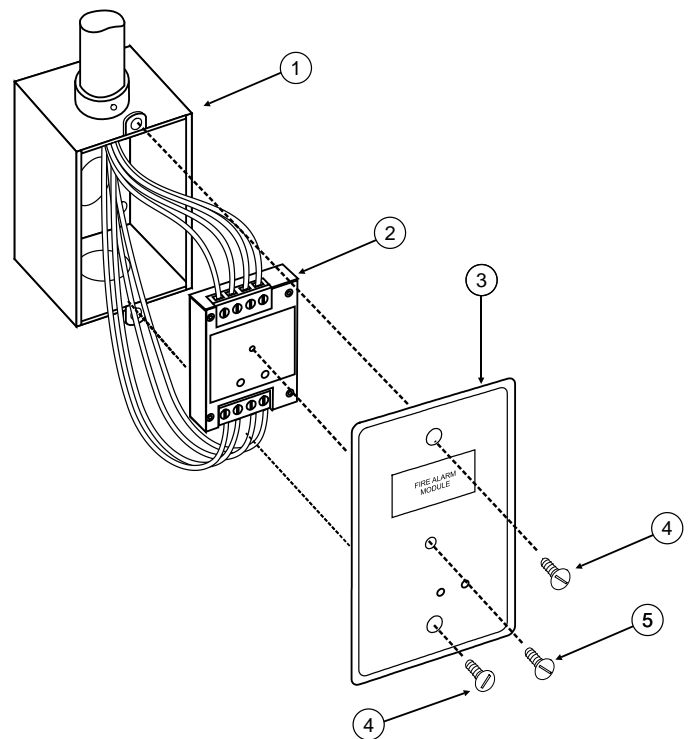
Notes

- The Genesis Remote Mount Signal Master Module is shipped from the factory as an assembled unit; it contains no user-serviceable parts and should not be disassembled.
- The Signal Master Module only synchronizes appliances that are electrically connected to it and are electrically downstream of it
- Only one module is required for each notification appliance circuit.
- The strobe circuit of the module requires a dedicated NAC whereas the horn circuit of the module can be cascaded with other Genesis Signal Master modules on one NAC.
- The strobe circuit must be continuous in alarm mode.
- When determining allowable wire resistance, refer to the voltage rating of the module, the signaling appliance, and the control panel specifications.

To install the module:

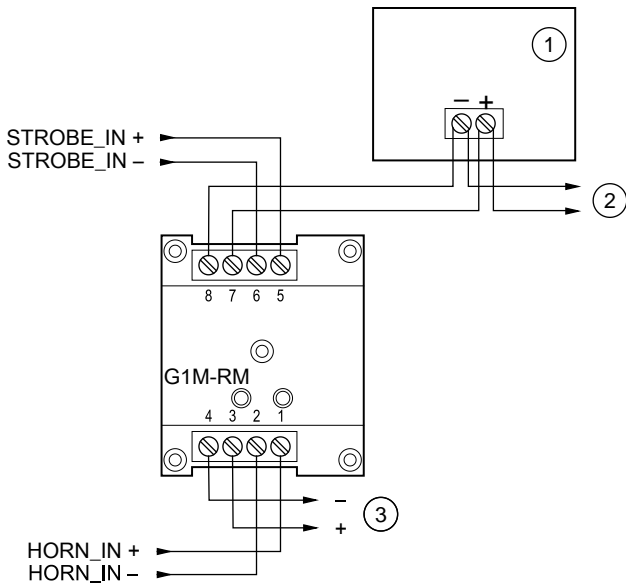
1. Verify that all field wiring is free of opens, shorts, and ground faults.
2. Make all wiring connections as shown in Figure 2 through Figure 4.
3. Using the 4-24 x 1/2 in. screw, mount the wall plate on the module as shown in Figure 1.
4. Using the two 6-32 x 1/2 machine screws, mount the module in the electrical box.

Figure 1: Mounting in a single-gang box



1. Compatible electrical box
2. Remote Signal Master Module
3. Wall plate
4. 6-32 x 1/2 in. screw
5. 4-24 x 1/2 in. screw

Figure 2: Horn silence / synchronization using two NACs

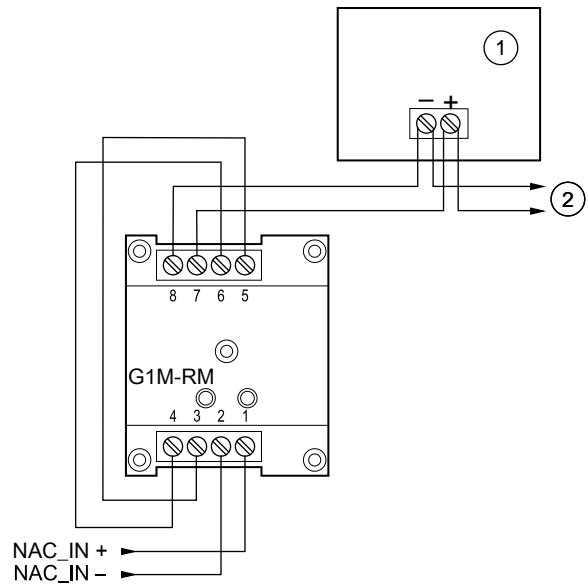


1. Strobe or horn/strobe
2. To next appliance, EOL resistor, or Class A circuit return
3. To next G1M-RM or end of line resistor

Notes

- Polarity shown in alarm condition
- Horn circuit can be silenced without turning off strobes

Figure 4: Synchronization using one NAC

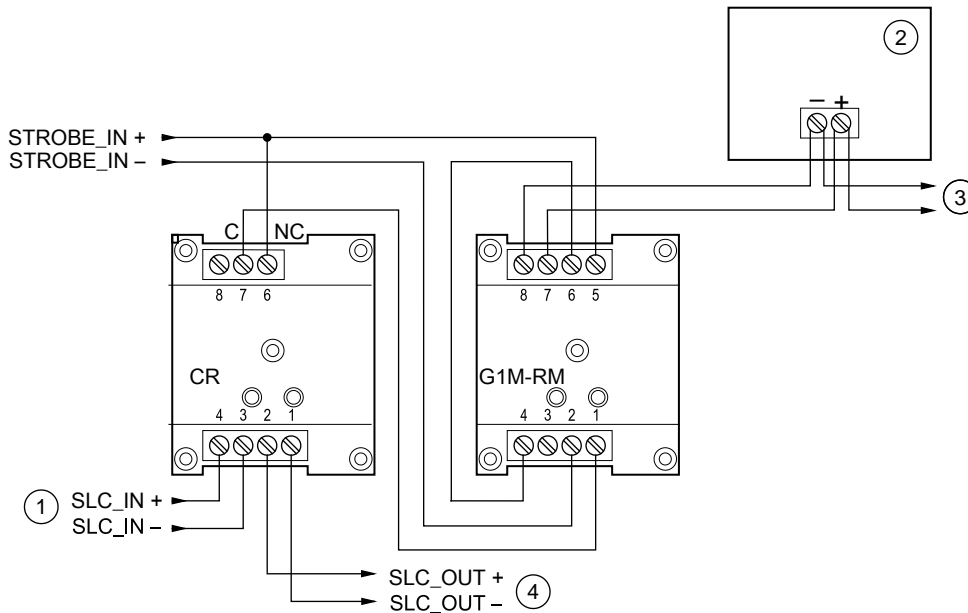


1. Strobe or horn/strobe
2. To next appliance, EOL resistor, or Class A circuit return

Notes

- Polarity shown in alarm condition
- Horn circuit cannot be silenced without turning off strobes

Figure 3: Horn silence / synchronization using one NAC



1. From previous device or control panel
2. Strobe or horn/strobe
3. To next appliance, EOL resistor, or Class A circuit return
4. To next device or Class A circuit return

Notes

- Polarity shown in alarm condition
- Horn circuit can be silenced without turning off strobes
- G1M-RM, CR module, and wire nut must be located in the same enclosure as the Genesis Signal Master.

Table 2: G1M-RM terminal connections

Terminal	Description	Terminal	Description
1	HORN IN +	5	STROBE IN +
2	HORN IN -	6	STROBE IN -
3	HORN OUT +	7	STROBE OUT +
4	HORN OUT -	8	STROBE OUT -

Specifications

Operating voltage	16 to 33 VDC; 16-33 VFWR
Output rating	3 A max. Actual value limited by system NAC and power outputs
Synchronization	
Flash	1/s within 10 mss indefinitely
Resistance between two appliances	20 Ω max.
Wire size	12 to 18 AWG (0.75 to 2.50 mm ²)
Electrical box	
Compatible	2-1/2 in. (64 mm) deep single-gang box
Recommended	4 in. square box 1-1/2 in. (38 mm) deep with single-gang trim ring 3-3/4 x 2 in. (95 x 51 mm) (H x W) or greater
Operating environment	
Temperature	32 to 120 °F (0 to 49 °C)
Relative humidity	0 to 93% noncondensing

Regulatory information

Manufacturer	Edwards, A Division of UTC Fire & Security Americas Corporation, Inc. 8985 Town Center Parkway, Bradenton, FL 34202, USA
Year of manufacture	The first two digits of the product serial number (located on the product identification label) are the year of manufacture.
UL rating	Regulated 24 DC, Regulated 24 FWR [1]
Environmental class	UL: Indoor
North American standards	UL 1971, UL 1638, UL 464, CAN/ULC S525, CAN/ULC S526

[1] This module was tested to the regulated 24 VDC/FWR operating voltage limits of 16 V and 33 V. Do not apply 80% and 110% of these values for system operation.

Contact information

For contact information, see www.edwardsutcfs.com.

