



Technology that saves lives

Horn/Siren Combination

5520D Series



Overview

5520D series Duotronic signals are 24 Vdc diode-polarized, heavy duty, high-decibel signaling appliances for use in fire alarm applications where a supervised signal is required. Colored sage gray, 5520D Series signals will function as either a horn or siren by setting an internal tamper-proof switch.

The 5520D Horn/Siren has no moving parts or contacts to wear out. It requires no maintenance or lubrication. The horn/siren operates with very low current consumption and does not require extra current on start-up. The horn's predominant frequency is 1.1 KHz. When horn output is selected, the frequency rises and falls from 300 to 3000 Hz every 3 seconds.

Once mounted, the horn/siren switch is tamperproof. The horn is suitable for coded applications, while the siren is not. The 5520D Series can be made suitable for outdoor weatherproof applications by adding the catalog number 349 Backbox.

Standard Features

- No moving parts
- High dB output
- Suitable for coded signals (horn mode only)
- Swivel/adjustable mounting
- Outdoor/weatherproof option
- Diode polarized
- Low current draw, no inrush current
- Mounts to one-gang opening

Application

5520D signals are ideal for indoor or outdoor applications including schools, factories, commercial occupancies, and lumber yards. They can be used where standard bells or horns are not satisfactory, particularly in areas of high noise level. The unit will function as a Horn or Siren with just the flick of a switch.



Technology that saves lives

Contact us...

Email: kidde.fire@fs.utc.com

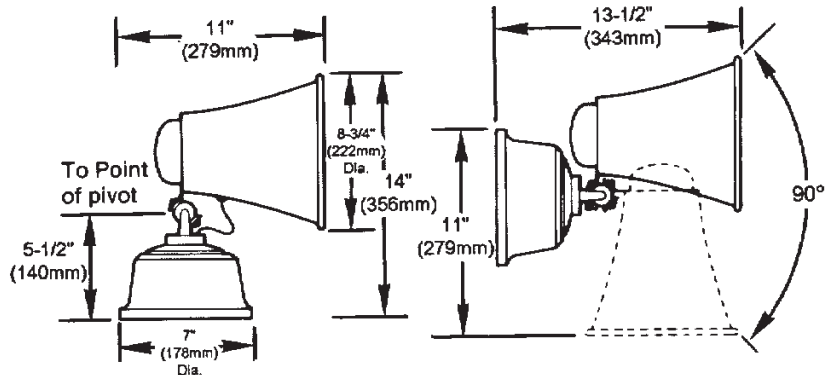
Web: Kidde.com/EngineeredSystems

Kidde is a UTC brand.
1016 Corporate Park Drive
Mebane, NC 27302

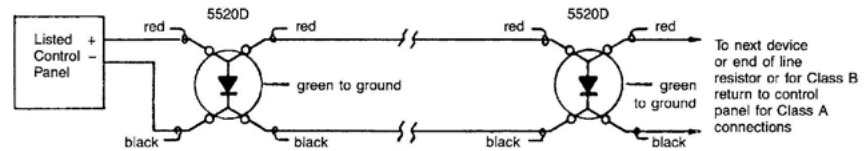
© 2016 United Technologies Corporation.
All rights reserved.

Installation

5520D Series signals include a universal mounting plate that permits mounting to a standard single gang, 3¼, 3½, or 4-inch octagon outlet box, or a 4-inch square box. It may also be installed without a box directly to the wall or ceiling. The megaphone may be swivelled through 180° horizontally and 90° vertically. All wiring is made to colour-coded wire leads attached to a quick-disconnect plug. When complete, the device just plugs-in and is locked to the mounting plate with a set screw. For weatherproof installations, use a Cat. No. 349 back box, ordered separately.



Wiring



Specifications

Nominal Operating Voltage	20 - 24 Vdc
Current Draw	350 mA
Sound Pressure Output	Horn – 114 dBA at 10 ft (3m); Siren – 112 dBA at 10 ft (3m)
Horn Characteristic	Predominant 1.1 KHz (Suitable for coded signals)
Siren Characteristic	Rises and falls 600 to 1300 Hz every three seconds (Not suitable for coded signals)
Wiring Connections	Color-coded wire leads with quick-disconnect plug
Finish	Metallic gray enamel
Approvals	UL, ULC, FM

Ordering Information

Cat. No.	Description	Ship Wt.
5520D-AW	Horn/Siren Combination - 24 Vdc	25 lb (11.5kg)
Accessories		
349	Weatherproof Backbox	0.5lb (0.2kg)

Warning: Install this device in accordance with the supplied installation instructions, and applicable editions of the NFPA codes and standards, and the Canadian Electrical Code (Part 1, Section 32), CAN/ULC-S524, Standard for the Installation of Fire Alarm Systems, and in accordance with the local authorities having jurisdiction.

Caution: These devices will not operate without electrical power. As fires frequently cause power interruptions, we suggest you discuss further safeguards with your fire protection specialists.