

Beacons

Steady-On Halogen

105 Series

Edwards 105 Series steady-on Halogen beacons are NEMA Type 4X signaling devices, suitable for indoor or outdoor applications where a continuous (steady-on) light source is required. Base material is gray, manufactured from glass-reinforced thermoplastic polyester resin and features brass hardware. The double fresnel lens is made of shatter-resistant polycarbonate.

Features and Specifications

- Halogen light source
- Shatter-resistant double fresnel polycarbonate lens
- Gray Rynite® (PET) base with brass hardware
- Suitable for use in indoor, outdoor and marine applications
- NEMA Type 4X and Marine rated
- Option for panel, conduit or wall mounting
- Class 1, Div 2, Groups A, B, C and D; Class II, Div 2, Groups F and G; Class III



Ordering Information								
Description	Cat. No.	Operating Voltage	Current	Lens Color	Peak Candela	Lamp Ratings	Replacement	
							Lens	Lamp
Steady-on Beacon Halogen - AC	105SINHA-G5	24V AC	0.8 A	Amber	2839	20W, 20,000 hours ^{1,2}	105-LA	50LMP-20WH or Ind. Trade No. 1692 ³
	105SINHB-G5	24V AC	0.8 A	Blue			105-LB	
	105SINHC-G5	24V AC	0.8 A	Clear			105-LC	
	105SINHG-G5	24V AC	0.8 A	Green			105-LG	
	105SINHM-G5	24V AC	0.8 A	Magenta			105-LM	
	105SINHR-G5	24V AC	0.8 A	Red			105-LR	
	105SINHA-N5	120V AC	0.2 A	Amber	2198	25W, 20,000 hours ^{1,2}	105-LA	50LMP-25WH or Ind. Trade No. 25T8DC ³
	105SINHB-N5	120V AC	0.2 A	Blue			105-LB	
	105SINHC-N5	120V AC	0.2 A	Clear			105-LC	
	105SINHG-N5	120V AC	0.2 A	Green			105-LG	
	105SINHM-N5	120V AC	0.2 A	Magenta			105-LM	
	105SINHR-N5	120V AC	0.2 A	Red			105-LR	
Steady-on Beacon Halogen - DC	105SINHA-G1	24V DC	0.8 A	Amber	2839	20W, 20,000 hours ^{1,2}	105-LA	50LMP-20WH or Ind. Trade No. 1692 ³
	105SINHB-G1	24V DC	0.8 A	Blue			105-LB	
	105SINHC-G1	24V DC	0.8 A	Clear			105-LC	
	105SINHG-G1	24V DC	0.8 A	Green			105-LG	
	105SINHM-G1	24V DC	0.8 A	Magenta			105-LM	
	105SINHR-G1	24V DC	0.8 A	Red			105-LR	

¹At nominal operating voltage.

²Projected lamp life based on manufacturer's calculated lamp life at 65 fpm and 50% duty cycle.

³Incandescent lamp, user supplied



Beacons

Steady-On Halogen

105 Series

Accessories	
Description	Cat. No.
Wall Mount Bracket	105BM ¹
Outlet Box Attachment	105BX
Pipe Mount Attachment	105PM

¹Must be used with 105BX.

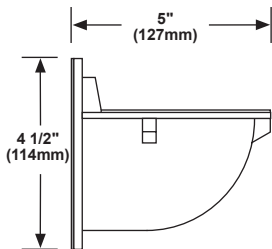
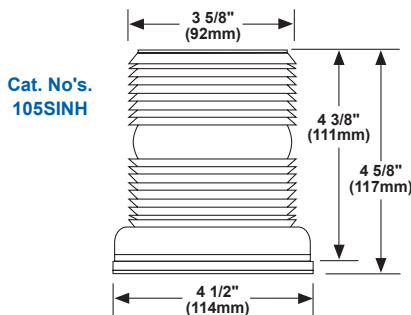


Hazardous Location Ratings				
Cat. No.	Class	Division	Group	Operating Temperature
105FINH*-G1	I	2	A, B, C, D	T2D (215°C, 419°F)
105SINH*-G1	II	2	F, G	T4A (120°C, 248°F)
105FINH*-G5				
105SINH*-G5	III			T4A (120°C, 248°F)

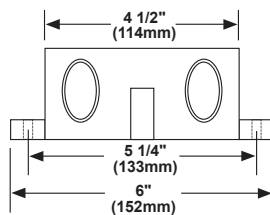
*Letter in this position designates lens color: A - amber, B - blue, C - clear, G - green, M - magenta or R - red

Weights and Dimensions		
Cat. No.	Approx. Net Weight (lb.)	Approx. Shipping Weight (lb.)
105INH*G1	0.88	1.04
105INH*G5	0.88	1.04
105INH*N5	0.88	1.04
105PM	0.80	1.00
105BX	0.80	1.00
105BM	1.00	1.20

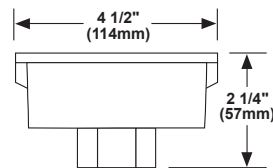
*Letter in this position designates lens color: A - amber, B - blue, C - clear, G - green, M - magenta or R - red



Cat. No. 105BM Mounting Bracket
(must use with 105BX)



Cat. No. 105BX
Outlet Box Attachment
(Four 3/4" threaded hubs)



Cat. No. 105PM
Pipe Mount Attachment
(Pipe mount is 3/4" NPT)