

# Beacons

## Multi-Mode LED

### 107XBR Series

The 107XBR hazardous location XTRA-BRITE™ LED visual signals are NEMA Type 3R and Type 4 heavy-duty visual signals suitable for use in indoor or outdoor applications. The units are available in 24V DC or 120V AC and are field configurable for steady-on or flashing (65 fpm). The inner, double fresnel lens is made of a high grade polycarbonate and is designed to magnify the super-bright LEDs inside. A clear, outer, impact-resistant glass globe also covers the lens and an optional dome guard fits over the glass dome to protect it against accidental impacts with machinery or falling objects.

The 107XBR has three different mounting configurations including the pendant mount, bracket mount and ceiling mount and can be mounted on 3/4" NPT threaded conduit.

### Features and Specifications

- Multi-mode (flashing or steady-on)
- LED XTRA-BRITE™ light source
- Flash rate 65 fpm
- Five lens colors
- 3/4" NPT threaded conduit
- High level of immunity to shock and vibration
- Three mounting options: pendant, bracket or ceiling
- Bracket and Ceiling Mount: Class I, Div 2, Groups A, B, C, and D; Class II, Div 2, Groups F and G, Class III
- Pendant Mount: Class I, Div 2, Groups A, B, C, and D; Class II, Div 2, Groups F and G, Class III, Class II, Div 1, Groups E, F and G
- All 107XBR units are Marine Rated (Marine rating applies to UL listing only)



Ordering Information							
Description	Cat. No.	Operating Voltage <sup>1</sup>	Current	Lens Color	Median LED Life (L70) <sup>2</sup>	Flash Rate <sup>3</sup>	Replacement Dome
Pendant Mount AC	107XBRPMA120A	120V AC	0.115 A	Amber	148,000 hours	65 fpm	EDVPGL1HR
	107XBRPMB120A	120V AC	0.115 A	Blue	148,000 hours	65 fpm	EDVPGL1HR
	107XBRPMG120A	120V AC	0.115 A	Green	148,000 hours	65 fpm	EDVPGL1HR
	107XBRPMR120A	120V AC	0.115 A	Red	148,000 hours	65 fpm	EDVPGL1HR
	107XBRPMW120A	120V AC	0.115 A	Clear	148,000 hours	65 fpm	EDVPGL1HR
Bracket Mount AC	107XBRBMA120A	120V AC	0.115 A	Amber	148,000 hours	65 fpm	EDVPGL1HR
	107XBRBMB120A	120V AC	0.115 A	Blue	148,000 hours	65 fpm	EDVPGL1HR
	107XBRBMG120A	120V AC	0.115 A	Green	148,000 hours	65 fpm	EDVPGL1HR
	107XBRBMR120A	120V AC	0.115 A	Red	148,000 hours	65 fpm	EDVPGL1HR
	107XBRBMW120A	120V AC	0.115 A	Clear	148,000 hours	65 fpm	EDVPGL1HR
Ceiling Mount AC	107XBRCMA120A	120V AC	0.115 A	Amber	148,000 hours	65 fpm	EDVPGL1HR
	107XBRCMB120A	120V AC	0.115 A	Blue	148,000 hours	65 fpm	EDVPGL1HR
	107XBRCMG120A	120V AC	0.115 A	Green	148,000 hours	65 fpm	EDVPGL1HR
	107XBRCMR120A	120V AC	0.115 A	Red	148,000 hours	65 fpm	EDVPGL1HR
	107XBRCMW120A	120V AC	0.115 A	Clear	148,000 hours	65 fpm	EDVPGL1HR

<sup>1</sup>AC voltage frequency is 50/60 Hz

<sup>2</sup>Based on LED manufacturer's projections. Refer to <http://www.philipslumileds.com/pdfs/WP15.pdf>

<sup>3</sup>Only if activated by third yellow wire



# Beacons

## Multi-Mode LED

### 107XBR Series

Ordering Information		Continued				
Description	Cat. No.	Operating Voltage	Current	Lens Color	Median LED Life (L70) <sup>1</sup>	Flash Rate <sup>2</sup>
Pendant Mount DC	107XBRPMA24D	24V DC	0.220 A	Amber	148,000 hours	65 fpm
	107XBRPMB24D	24V DC	0.220 A	Blue	148,000 hours	65 fpm
	107XBRPMG24D	24V DC	0.220 A	Green	148,000 hours	65 fpm
	107XBRPMR24D	24V DC	0.220 A	Red	148,000 hours	65 fpm
	107XBRPMW24D	24V DC	0.220 A	Clear	148,000 hours	65 fpm
Bracket Mount DC	107XBRBMA24D	24V DC	0.220 A	Amber	148,000 hours	65 fpm
	107XBRBMB24D	24V DC	0.220 A	Blue	148,000 hours	65 fpm
	107XBRBMG24D	24V DC	0.220 A	Green	148,000 hours	65 fpm
	107XBRBMR24D	24V DC	0.220 A	Red	148,000 hours	65 fpm
	107XBRBMW24D	24V DC	0.220 A	Clear	148,000 hours	65 fpm
Ceiling Mount DC	107XBRCMA24D	24V DC	0.220 A	Amber	148,000 hours	65 fpm
	107XBRCMB24D	24V DC	0.220 A	Blue	148,000 hours	65 fpm
	107XBRCMG24D	24V DC	0.220 A	Green	148,000 hours	65 fpm
	107XBRCMR24D	24V DC	0.220 A	Red	148,000 hours	65 fpm
	107XBRCMW24D	24V DC	0.220 A	Clear	148,000 hours	65 fpm

<sup>1</sup>Based on LED manufacturer's projections. Refer to <http://www.philipslumileds.com/pdfs/WP15.pdf>  
<sup>2</sup>Only if activated by third yellow wire

Accessories	
Description	Cat. No.
Optional Dome Guard	EDVPGU1

Hazardous Locations Listings		Operating Temperature				
Cat. No.	Ambient Temp.	Pendant, Bracket and Ceiling Mount			Pendant Mount Only	
		Class I, Div. 2, Groups A, B, C and D	Class II, Div. 1, Groups E, F, G	Class II, Div. 2, Groups F, G	Class III, Div. 1 & 2	
107XBR	40°C	135°C (T4)	85°C (T6)	85°C (T6)	85°C (T6)	
	55°C	135°C (T4)	85°C (T6)	85°C (T6)	85°C (T6)	
	65°C	135°C (T4)	85°C (T6)	85°C (T6)	85°C (T6)	

Note: Class II and Class III only apply to Pendant Mount with clear globes

# Beacons

## Multi-Mode LED

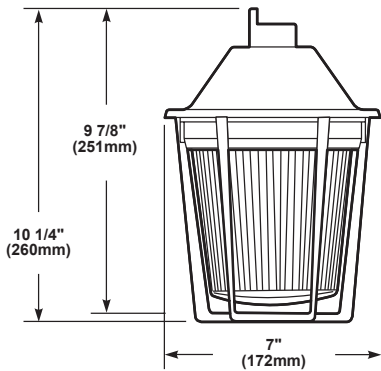
### 107XBR Series

#### Weights and Dimensions

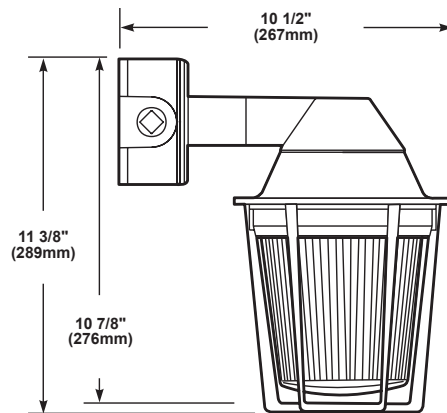
Cat. No.	Approx. Net Weight (lb.)	Approx. Shipping Weight (lb.)
107XBRBM*120A	6.40	10.87
107XBRCM*120A	5.40	9.87
107XBRPM*120A	4.50	8.97
107XBRBM*24D	6.40	10.87
107XBRCM*24D	5.40	9.87
107XBRPM*24D	4.50	8.97

\*Letter in this position designates lens color: A - amber, B - blue, G - green, R - red, W - clear

Pendant Mounting



Bracket Mounting



Ceiling Mounting

