

Bells Vibrating 439DEX Series



Edwards 439DEX Series hazardous location fire alarm bells are DC vibrating bells that produce a long, continuous ringing sound. The striker continues to strike the gong in rapid-fire as long as current is applied. Diode polarized models are available for use in electrically supervised circuits.

Features and Specifications

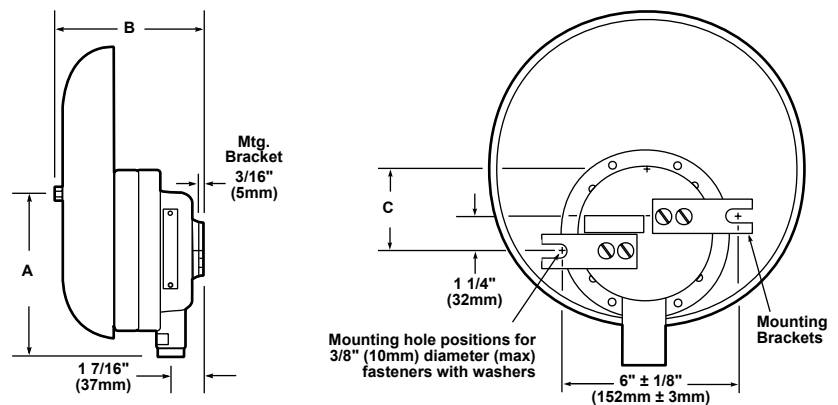
- 6", 8" and 10" gong sizes
- Completely assembled
- Corrosion resistant gray epoxy finish
- Suitable for use in indoor applications
- Mounts directly on any solid surface
- Low power draw for efficient operation over long runs
- Adjustment free self-compensating solenoid plunger
- Wire leads and sealing fitting for connection to 3/4" conduit
- UL listed for Class I, Divisions 1 and 2, Groups B, C and D; Class II, Divisions 1 and 2, Groups E, F and G; Class III

Ordering Information

Description	Cat. No.	Operating Voltage	Current	Gong Size	dB at 1m/10ft.	Color
DC Fire Alarm	439DEX-6AW	20-24V DC	0.240 A	6" (152mm)	93/83	Gray
	439DEX-8AW	20-24V DC	0.240 A	8" (203mm)	96/86	Gray
	439DEX-10AW	20-24V DC	0.240 A	10" (254mm)	99/89	Gray
	439DEX-6AW-R	20-24V DC	0.240 A	6" (152mm)	93/83	Red
	439DEX-8AW-R	20-24V DC	0.240 A	8" (203mm)	96/86	Red
	439DEX-10AW-R	20-24V DC	0.240 A	10" (254mm)	99/89	Red

Weights and Dimensions

Cat. No.	Approx. Net Weight (lb.)	Approx. Shipping Weight (lb.)	Gong Size	Dimensions		
				A	B	C
439DEX-6AW	5.70	7.24	6" (152mm)	4 1/16" (103mm)	4 13/16" (122mm)	5/8" (16mm)
439DEX-8AW	7.70	9.67	8" (203mm)	5 1/16" (129mm)	5 1/4" (133mm)	1 5/8" (41mm)
439DEX-10AW	8.70	11.10	10" (254mm)	6 1/16" (154mm)	5 3/8" (137mm)	2 5/8" (67mm)
439DEX-6AW-R	5.70	7.24	6" (152mm)	4 1/16" (103mm)	4 13/16" (122mm)	5/8" (16mm)
439DEX-8AW-R	7.70	9.67	8" (203mm)	5 1/16" (129mm)	5 1/4" (133mm)	1 5/8" (41mm)
439DEX-10AW-R	8.70	11.10	10" (254mm)	6 1/16" (154mm)	5 3/8" (137mm)	2 5/8" (67mm)



NOTE: Mounts to any solid surface using 3/8" (10mm) fasteners. Units fitted with a sealing fitting for 3/4" (19mm) conduit and wire leads for power connections.